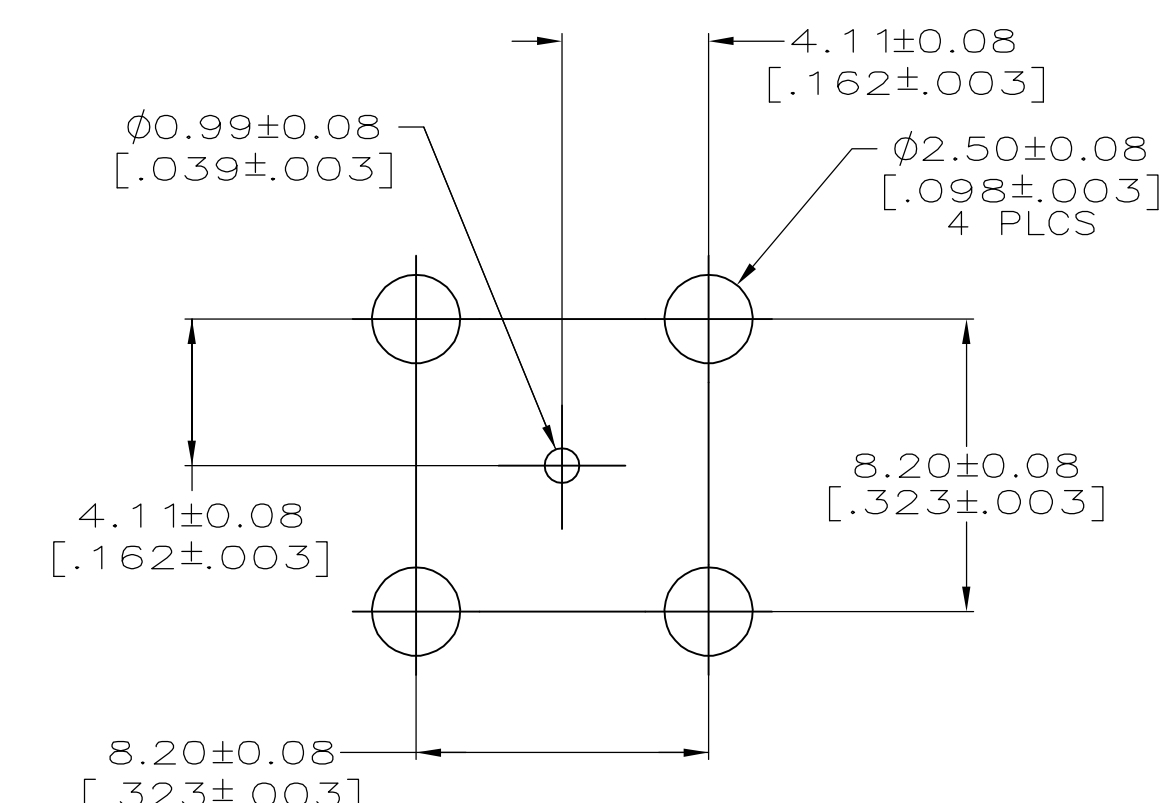
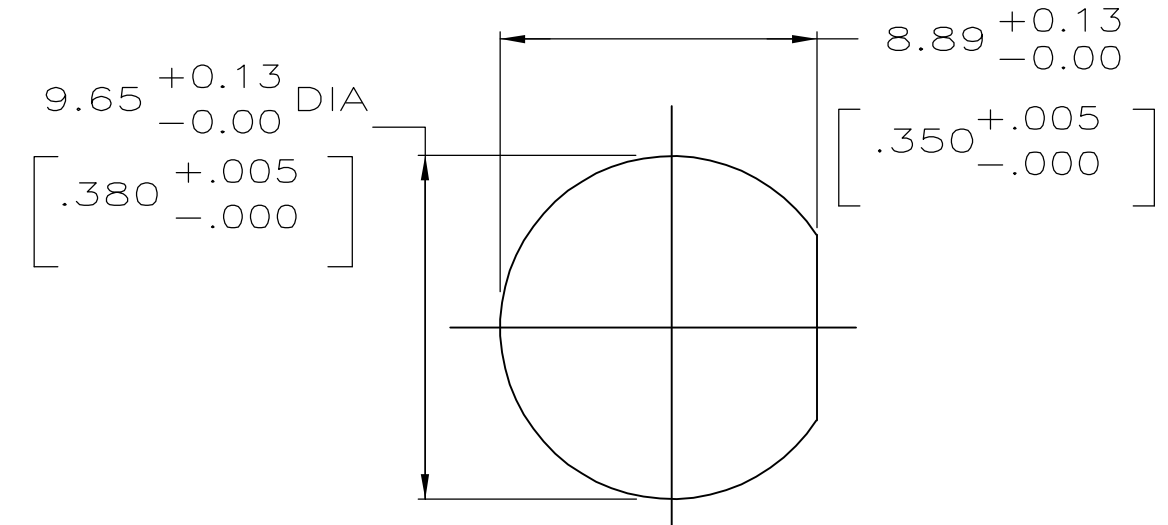
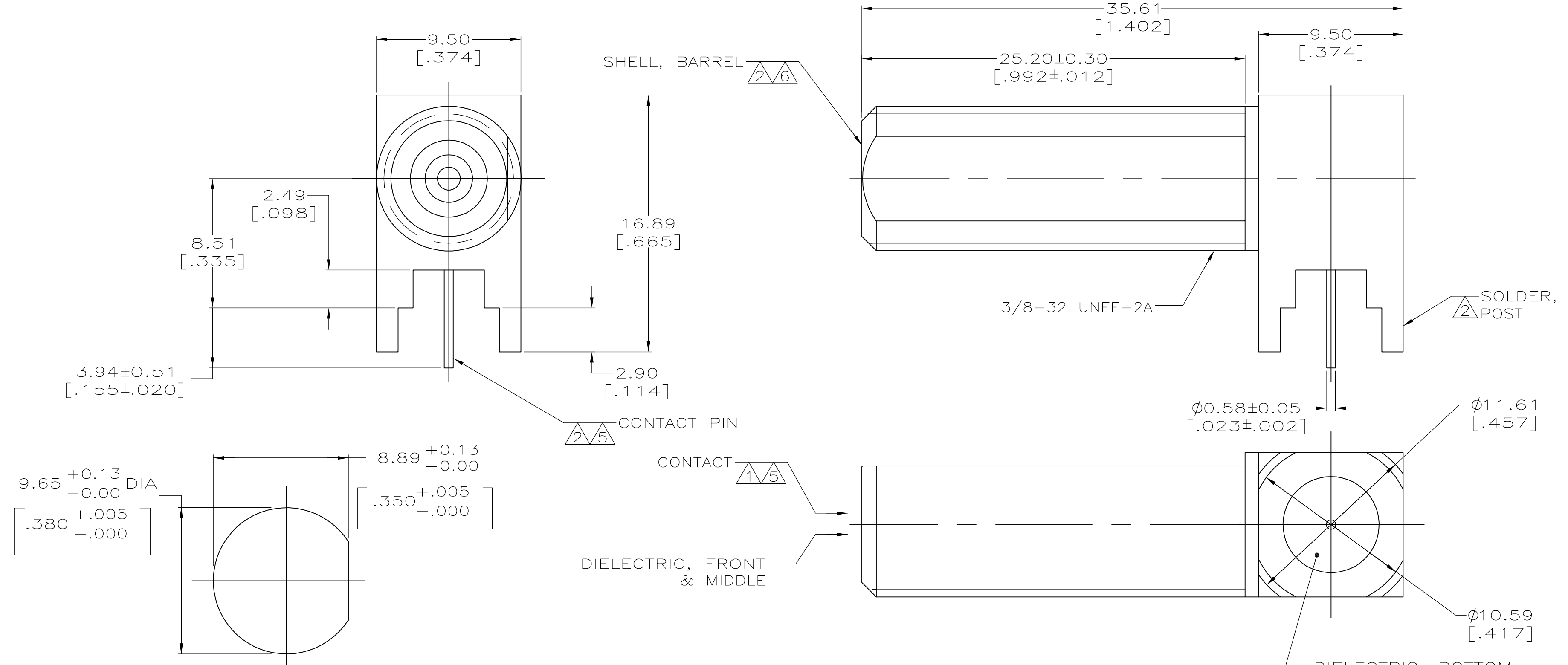


LOC	DIST	REVISIONS					
AJ	00	P	LTR	DESCRIPTION	DATE	DWN	APVD
		J		REVISED PER ECO 06-016786	1/22/2007	DW	KW



- ① PHOSPHOR BRONZE.
- ② BRASS.
- ③ PTFE.
- ④ ACETAL, GENERAL PURPOSE
- ⑤ TIN PLATE 2.54 μm [.000100] MINIMUM THICK.
- ⑥ NICKEL PLATE 2.54 μm [.000100] MINIMUM THICK.
- ⑦ POLYPROPYLENE, GENERAL PURPOSE
- 8. CONNECTOR WILL ACCEPT CENTER CONDUCTOR DIAMETER RANGE OF .020-.047.

OBSOLETE

①	②	③	④	415024-3
⑤	⑥	⑦	⑧	415024-2
⑨	⑩	⑪	⑫	415024-1
SOLDER POST PLATING	FRONT DIELECTRIC MATERIAL	MIDDLE DIELECTRIC MATERIAL	BOTTOM DIELECTRIC MATERIAL	PART NUMBER

THIS DRAWING IS A CONTROLLED DOCUMENT.

DIMENSIONS: mm [INCHES]	TOLERANCES UNLESS OTHERWISE SPECIFIED:	DWN J. LIPPERT 08AUG96		Tyco Electronics Corporation Harrisburg, PA 17105-3608
0 PLC ± -	1 PLC ± -	CHK K. WEIDNER 10MAR97		NAME
2 PLC ± -	3 PLC ± 0.20 [.008]	APVD K. WEIDNER 10MAR97	PRODUCT SPEC	JACK, PCB, RIGHT ANGLE, F SERIES
4 PLC ± -	ANGLES ± -		APPLICATION SPEC	108-1755
MATERIAL SEE NOTES 1-4, 7	FINISH SEE NOTE 5 & 6	WEIGHT -	SIZE A2	CAGE CODE 00779
			DRAWING NO	415024
			RESTRICTED TO	-
			SCALE 5:1	SHEET 1 of 1
			CUSTOMER DRAWING	REV J